

# TRANSDUCER VENT BELLOWS

## TYPICAL APPLICATION

For use with all of MPE's Submersible Pressure Transducers that Require the Protection of their Vent Tube from Moisture Entry.

**MADE IN THE U.S.A.**

## DESCRIPTION

The Transducer Vent Bellows (TVB1) provides maintenance free protection for a submersible transducer vent tube against the entry of moisture. The bellows allows normal atmospheric pressure changes to be transmitted to the transducer element without letting moisture latent air into the vent tube. A small rubber hose connects the TVB1 unit to the vent tube of the submersible transducer.

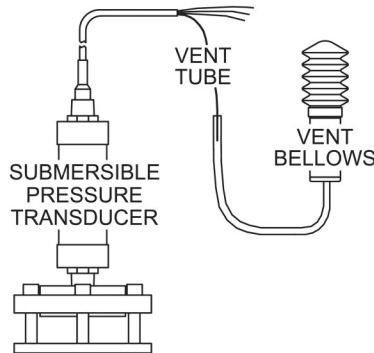
Some submersible pressure transducers come with a desiccant container for attaching to the vent tube. The desiccant is present to help prevent moisture in the air from entering the vent tube.

Desiccant type devices must be periodically replaced or serviced to remain effective. Other submersible pressure transducers come with a small ceramic like vent filter attached to the vent tube. The ceramic filter devices block water as a liquid from entering the vent tube, but they do not block water vapor.

Without adequate protection of the vent tube, moisture from warm air will enter the vent tube and migrate down to the transducer body. As the transducer body is typically cooler than the warm air, the water vapor in the warm air may condense into liquid. The use of a TVB1 is the most effective method for preventing moisture intrusion into the submersible transducer.

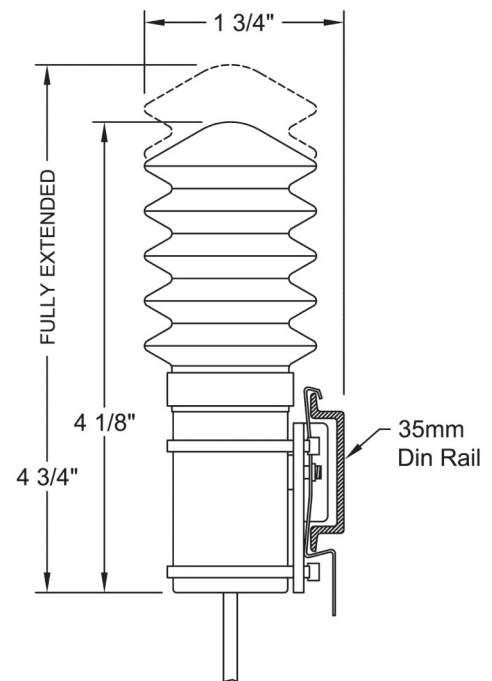
### Warning:

Transducer operation without protection will allow moisture in the air to migrate down the transducer's vent tube and condense inside the transducer, causing it to malfunction.



### Note:

Adequate space must be left above the bellows for expansion. See below.



## SPECIFICATIONS

Bellows Material:	Silicone
Tube Material:	Clear Polycarbonate
Dinrail Mounting Clip:	35mm O.D.
For use with Vent Tube Diameter:	0.060 inch
Operating Temp:	+32°F to +140°F

## ORDERING INFORMATION

**Part Number: TVB1**